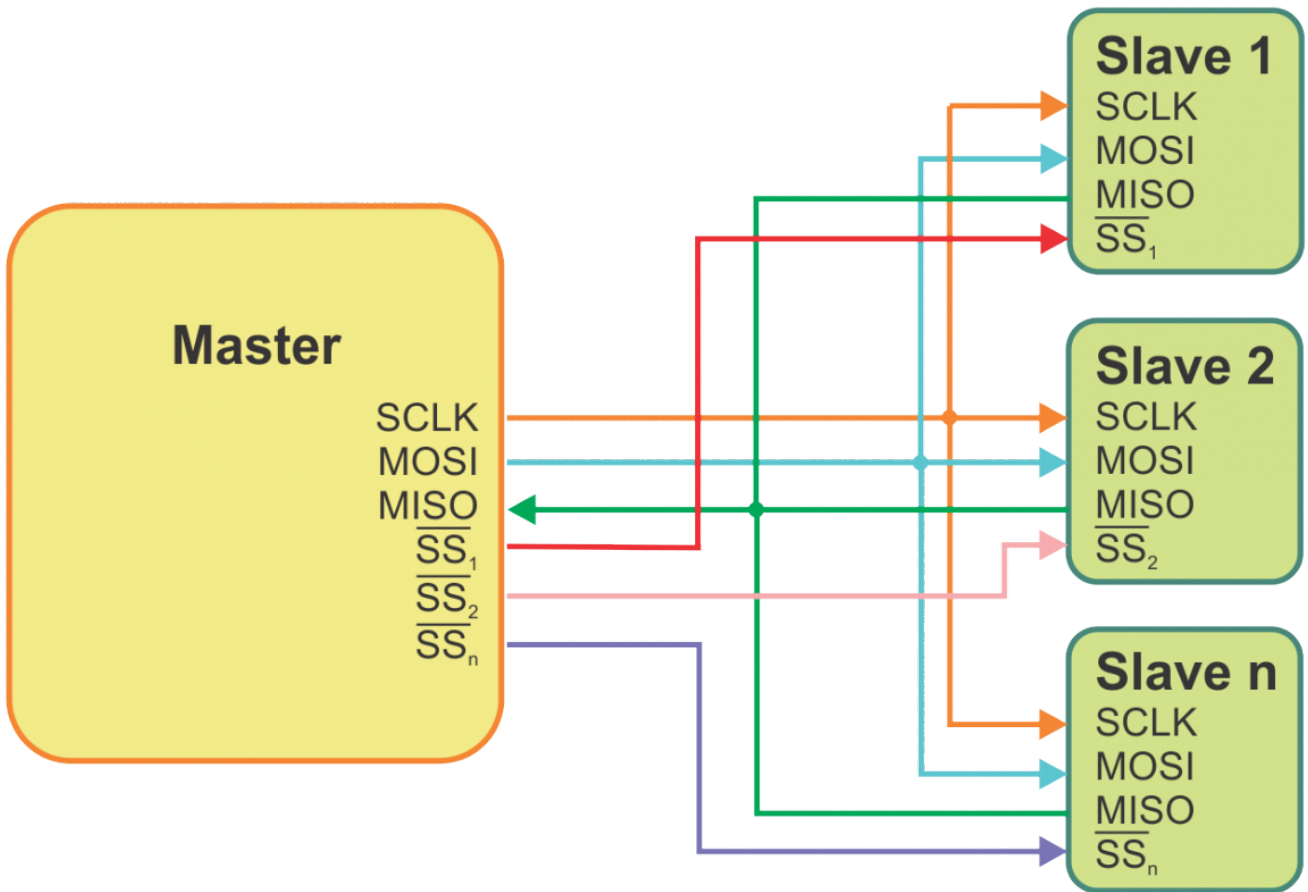




[Usb To Spi Interface Adapter](#)



[Usb To Spi Interface Adapter](#)

Download



Usb To Spi Interface Adapter Mac OS X PC ViaIt allows a developer to interface a Windows, Linux, or Mac OS X PC via USB to a downstream embedded system environment and transfer serial messages using the I2C and SPI protocols.

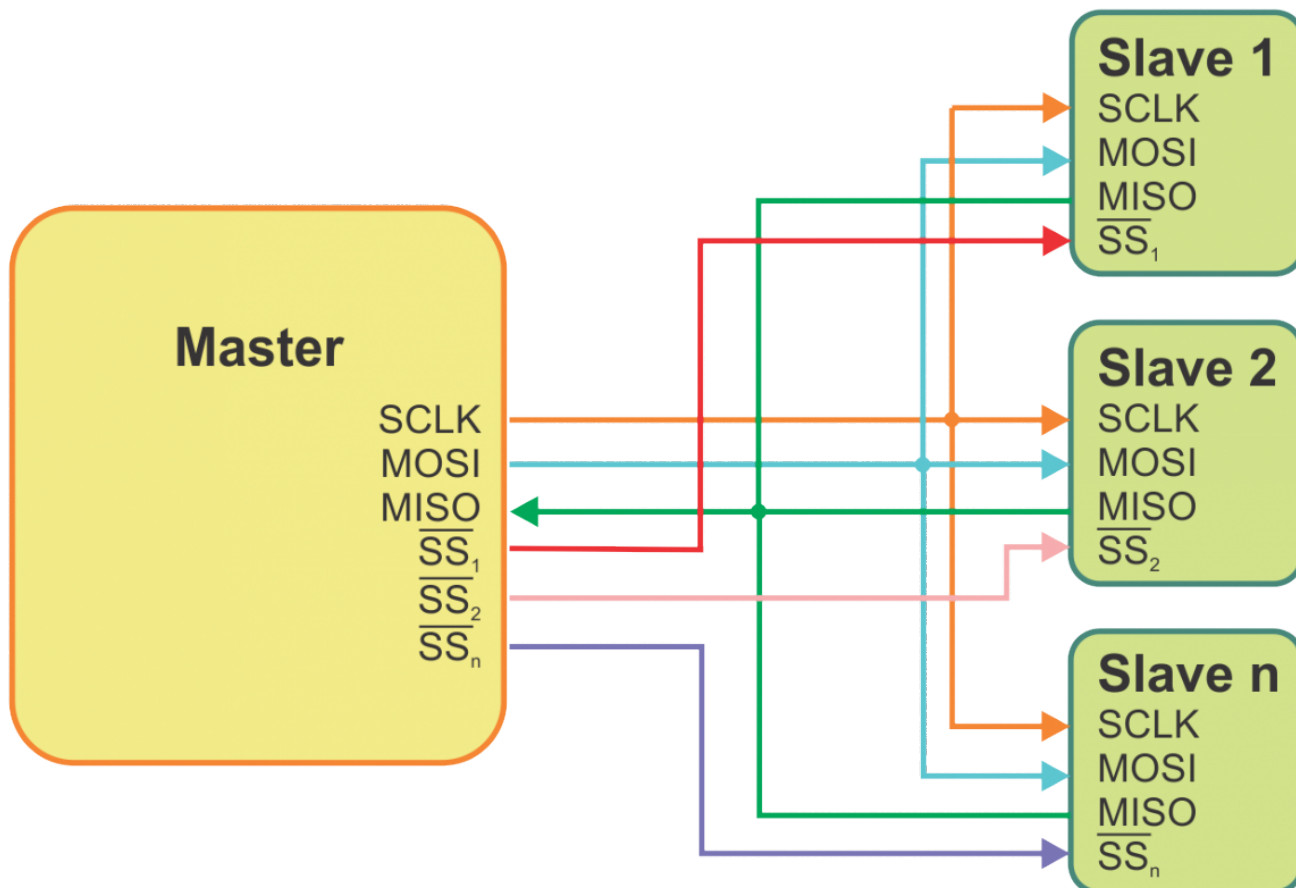
1. [interface adapter](#)
2. [interface adapter to activity](#)
3. [interface adapter android](#)

I2C, SPI, and GPIO functions are available in the scripting language for maximum flexibility.

interface adapter

interface adapter, interface adapter for ipad, interface adapter to activity, interface adapter pattern, interface adapter android, interface adapters clean architecture, interface adapter hp, interface adapter for iphone, interface adapter usb11a, interface adapter java, interface adapter 1 disconnected, interface adapter usm21a [Download Vt 4 Crack](#)

Thanks to USB, multiple Aardvark adapters can easily be used at the same time. A virtually unlimited number of configurations are possible to help engineers develop and test their embedded systems. Usb To Spi Interface Adapter Update Your Browser Update Microsoft Internet Explorer Subscribe Toggle navigation Menu Search Analog Dialogue About 50 Years Archives StudentZone RAQs Resources LT Journal Archive Technical Articles Technical Books FAQs Videos Webcasts Application Notes Analog. Some features include Create, run, and save custom batch scripts to automate tasks. [Вторая Мировая Видео Скачать Бесплатно](#)



[How To Download Whatsapp On Mac](#)

interface adapter to activity

[تحميل برنامج ايتونز 64 بت تشارلز](#)

The module is self powered from the USB (type-B) cable and can supply up to 70mA at 5V to external circuitry from a standard 100mA USB port.. Usb To Spi Interface Adapter Update Your BrowserFor optimal site performance we recommend you update your browser to the latest version.. The module is an I2C master only; it cannot act as a slave or in a multi-master bus.. Usb To Spi Interface Adapter Serial Pórt WithOften, one will send a structured packet to the virtual serial port with a I2C-USB command, followed by the I2C device address with address registers and informational bytes.. The start and end of transmission is indicated by the dotted green line, the sampling edge is indicated in orange, and the shifting edge is indicated in blue. [Модем E352B Инструкция](#)

interface adapter android

[Kraken Bitcoin Ticker For Mac](#)

The data in the transaction log can be saved to a CSV file to analyze the data. Usb To Spi Interface Adapter Free Tó ContactWe will reply back with quotation as soon as possible If you have any questions in the meantime, feel free to contact us here.. We only keep personal information related to your orders which you can delete at any time.. A built-in help system is available to explain all of the commands in the GUI The log stores information about the type of transaction, features used, and the message sent.. com Engineer Zone Wiki Subscribe Subscribe Provide us with your email address to get Analog Dialogue delivered directly to your inbox Follow Us Join our Analog Devices Inc.. Control Center Software The Control Center Software is a graphical application that provides an easy way to get developers up and running quickly.. Within minutes, developers can make full use of I2C, SPI, and GPIO functionality.. 3V device, check out the Devantech I2C, SPI adapter Usb To Spi Interface Adapter Free Tó ContactUsb To Spi Interface Adapter Mac OS X PC ViaUsb To Spi Interface Adapter Serial Pórt WithWhen not using I2C, the device can emulate 1 digital input pin, 2 digital input/output pins, and 2 analog inputs with a 10-bit ADC.. The I2C SCL and SDA lines are pulled up to 5V with a 4.7k resistor If you need to use I2C with a 3.. Details and examples on usage can be found using the Downloads tab Acroname and BrainStem are registered trademarks of Acroname. e828bfe731 [Ajmer Qawwali Ashok Zakhmi All](#)

e828bfe731

[Curl Devel Mingw Compiler](#)